



Product Datasheet

Virtualine LED

**Gobosource Part Number:
LG-HVLA8320X**

Other Models:

For information about other models visit:

www.gobosource.com/gos/virtual-signs-lasers-virtual-line-projectors-c-112_125.html



Overview:

The Virtualine LED series of line projecting LED light fixtures are an innovative and cost effective way to demarcate walkways and laneways without using paint. Virtualine LED fixtures create an indestructible floor line that eliminates the need for maintenance required by floor tape and paint lines, changing the way you handle floor marking in your facility.

Key Features:

- Modular – Easily reconfigure spaces within your facility without stripping paint or tape
- Highly Durable - No wear and tear from foot traffic
- Cost Effective - Eliminates the need for repainting or retaping
- Ultra Visible - Overcomes complacency by attracting more attention because of a dynamic projection
- Smart Triggered - Optional capability to trigger signage using motion sensors, beam break sensors or push button

Specifications:

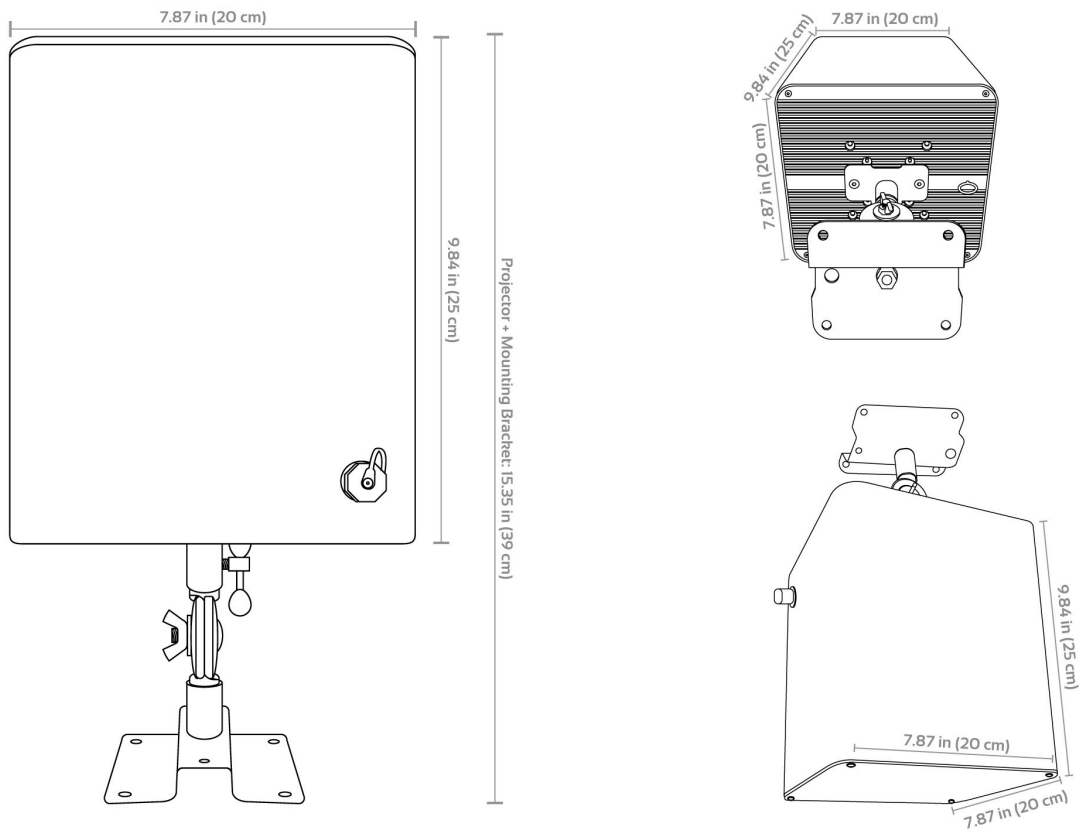
This spec sheet has been generated specifically for part number HVLA8320X, per your request, and data for the entire series is also displayed for your reference. The specs which are specific to HVLA8320X have been highlighted below in **red + bold**.

Color	Amber , Green
Total Power Consumption (W)	40, 80
Projection Type (See below for detail)	Line
Projection Fan Angle (°, full angle)*	30 , 53, 73
Brightness (Lux, at 5m / 15")	887, 1553, 1775, 2271, 2607, 3106, 3994, 5214 , 6693
IP rating	30
Operating Temperature Range (°C)	5 to 30
Storage Temperature Range (°C)	-10 to 60
Standard Warranty (months)	12
MTTF (operational hours)	30000
AC Power Supply Included	Yes
Weight (kg)	2.7 (6lbs)

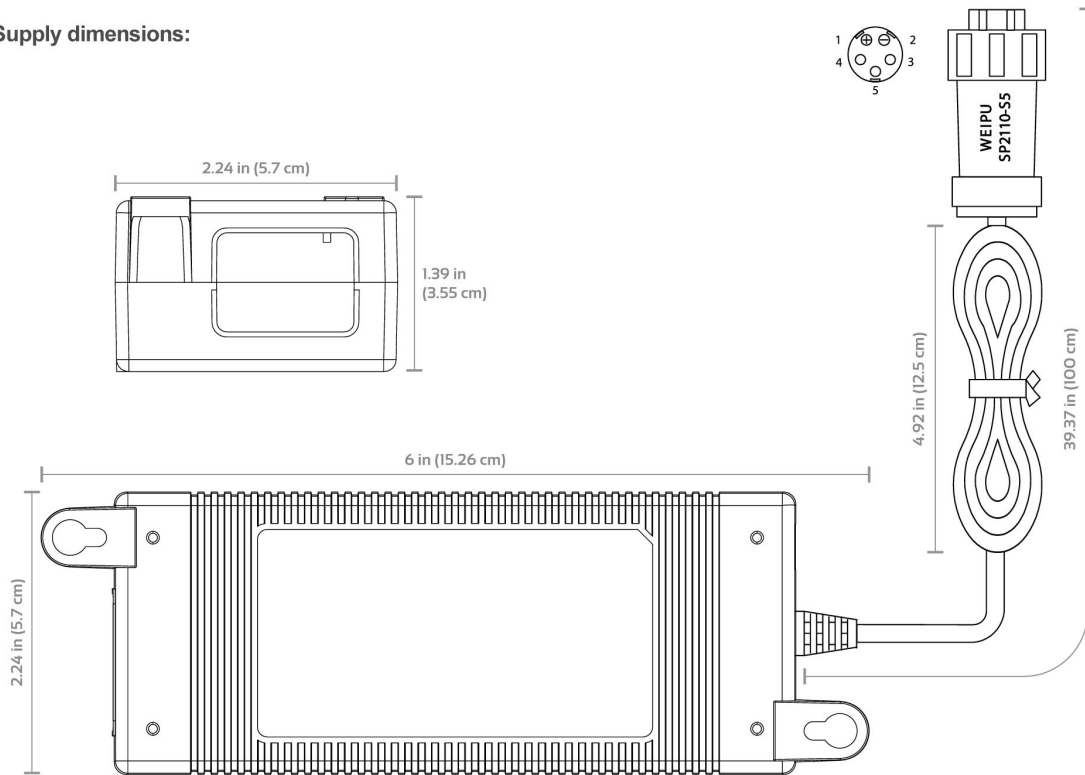
All specifications are based on performance at full power . Output characteristics may change if the product is run at reduced power.

* Other projection angles are available upon request. Contact our sales team if your application requires different projection angles.

Projector dimensions:



Power Supply dimensions:



FOR MORE INFORMATION PLEASE CONTACT:

GOBOSOURCE

4444 Scotts Valley Dr. Ste 5

Scotts Valley, CA 95066, USA

Tel. (800) 213-1092 or 1-831-431-8800

sales@gobosource.com www.gobosource.com/signs

Data included in this sheet may be subject to change without notice.

Please confirm critical specifications with our staff prior to ordering.