

ECO Lines 80 LED Line Projector

ECO Lines Virtual Line LED Projectors project a thick, permanent floor line that eliminates the need for maintenance required by floor tape and paint lines.

- Designed for Industrial Environments
- Wide power range
- Wide temperature range
- Maintenance free, no fans or motors
- Adjustable line length option (limited range)



SPECIFICATIONS:

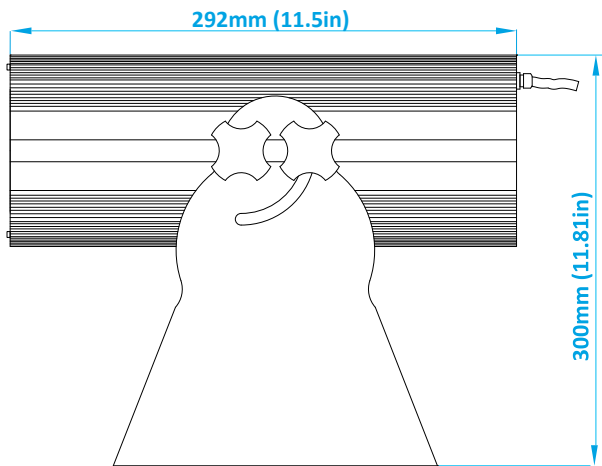
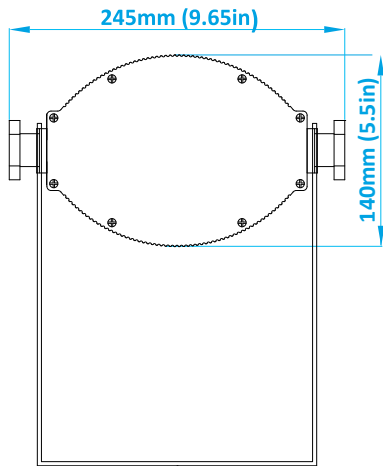
Model Number:	EL-80
Input Voltage Range:	100-240V/277VAC, 50/60Hz
Input Power/Current:	90W, 1A/115V, 0.4A/277V
Power Connector:	Nema 5-15 (Edison Plug)
LED Power:	80W
Rated Life:	LED (L70): 35,000h, Driver: 192,000h (Both are field serviceable)
Environmental Class:	IP65
Operating Temperature:	13 to 113°F (-25°C to 45°C)
UL/cUL Certification:	E334687 (Driver Only)
Driver Model:	Meanwell HLG80 or similar, UL/cUL/IP65

OPTICAL

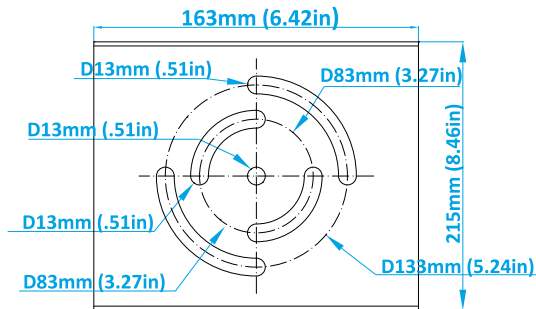
Line Width:	3 to 6 inch (depending on projection distance)
Lens Options:	90°, 73°, 53° (30° in preparation)
Available Projection Colors:	Yellow, Green, Red, Blue, Orange
Typ. Line Length:	Up to 35ft in Bright Environments Up to 70ft in Dim Environments

Product Warranty:	Two years from date of purchase
--------------------------	---------------------------------

DIMENSIONS:



Overall Dimensions:
 Length: 292mm (11.5in)
 Width: 246mm (9.7in)
 Weight: 5.3kg (11lbs)



PHOTOMETRICS:

ECO Lines™ Photometrics				PROJECTION DISTANCE IN FEET (ft)													
Model Gobo Size	Lens	Beam Mult.	Value	9	12	15	20	24	30	36	39	46	52	60	66		
ECO Lines 80Y	73°	1.50	Length (ft)	13.5	18.0	22.5	30.0	36.0	45.0	54.0	58.5	69.0	78.0	90.0	99.0		
			Brightn.(fc)	1067	600	384	216	150	96	67	57	41	32	24	20		
	90°	2.00	Length (ft)	18.0	24.0	30.0	40.0	48	60	72	78	92	104	120	132		
			Brightn.(fc)	889	500	320	180	125	80	56	47	34	27	20	17		

© 2021 Gobosource. Gobosource is a Registered Trademark of Globus New Media LLC

How to Read the Illumination Values

700+	Extreme brightness for extremely bright environments, extremely bright production environments (no direct sunlight).
180-700	Very high brightness for very bright environments, such as very bright production floor.
100-180	The most common brightness bracket for regular production floors.
60-100	Sufficient brightness for bright and medium bright warehouses.
40-60	Sufficient brightness for dim to medium bright warehouses.

Metric Conversions: For Meters multiply feet by .305. For Lux multiply footcandles by 10.76



Questions? 1-831-431-8800 - www.gobosource.com